

# 10-Key RF Remote Controller



Model No.: R1/R2/RU4/RU8

1,4,8 zone dimming/10-key/Wireless remote 30m distance/CR2032 battery/Magnet stuck fix



R1

1 Zone Dimming



R2

1 Zone CCT



RU4

4 Zone Dimming



RU8

8 Zone Dimming

CE RoHS LVD RED

## Features

- Apply to single color or dual color LED controller.
- Each remote can match one or more receiver.
- CR2032 battery powered.
- Operate with LED indicator light.
- Magnet on the back which can be easily stuck on back holder or any metal surfaces.

## Technical Parameters

Input and Output	
Output signal	RF(2.4GHz)
Working voltage	3VDC(CR2032)
Working current	< 5mA
Standby current	< 2 $\mu$ A
Standby time	2 years
Remote distance	30m

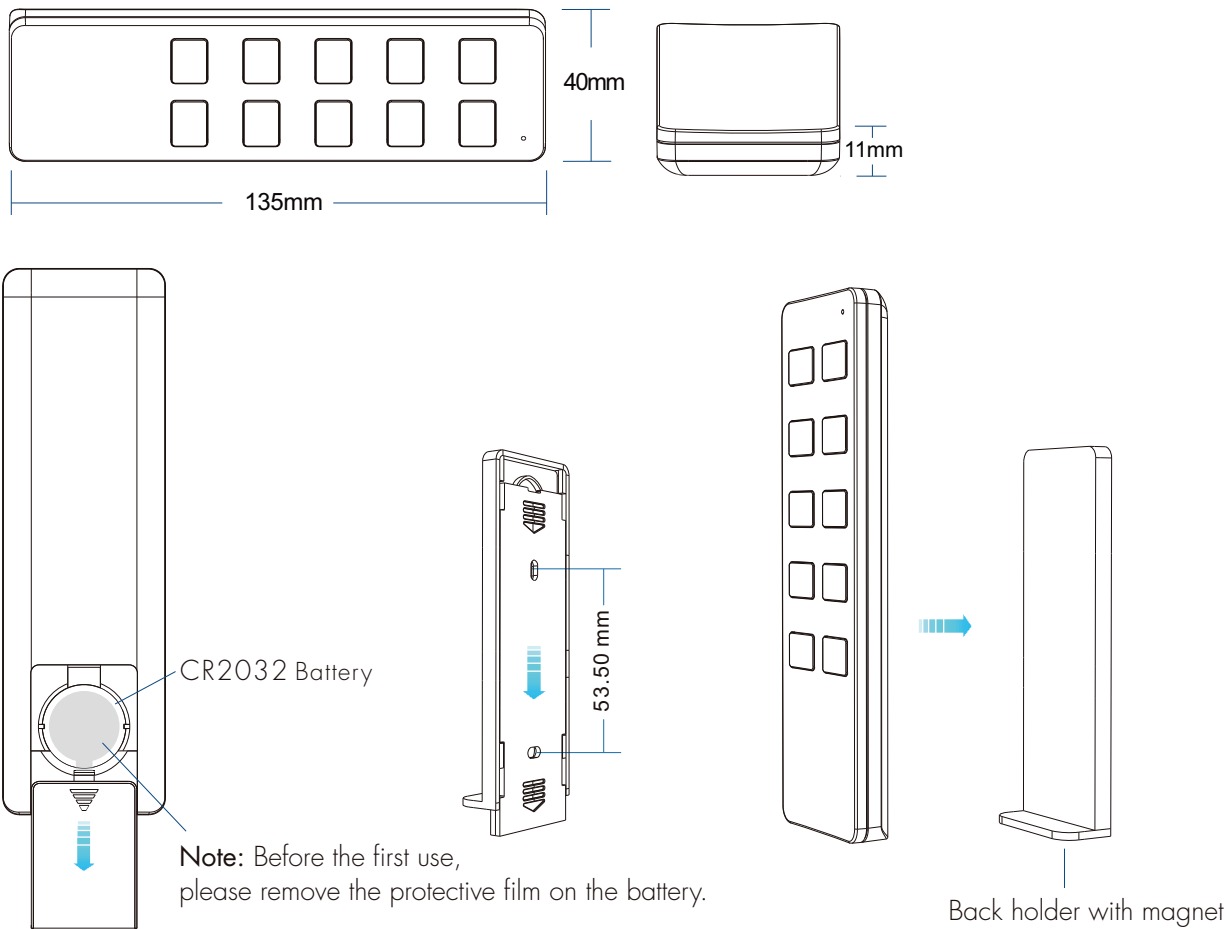
Warranty	
Warranty	5 years

Safety and EMC	
EMC standard (EMC)	EN301 489,EN 62479
Safety standard(LVD)	EN60950
Radio Equipment(RED)	EN300 328
Certification	CE,EMC,LVD,RED

Environment	
Operation temperature	Ta: -30 $^{\circ}$ C ~ +55 $^{\circ}$ C
Case temperature (Max.)	Tc: +85 $^{\circ}$ C
IP rating	IP20

## Mechanical Structures and Installations



To fix the remote, three options are offered for selection:

- Option 1: stuck the remote on any metal surfaces directly.
- Option 2: fix the remote' back holder on the wall with two screws.
- Option 3: adhere the remote' back holder to the wall with paster.

## Match Remote Control (two match ways)

End user can choose the suitable match/delete ways. Two options are offered for selection:

### Use the controller's Match key

Match:

Short press match key, immediately press on/off key (single zone remote) or zone key (multiple zone remote) of the remote.

Delete:

Press and hold match key for 5s to delete all match, The light blinks 5 times means all matched remotes were deleted.

### Use Power Restart

Match:

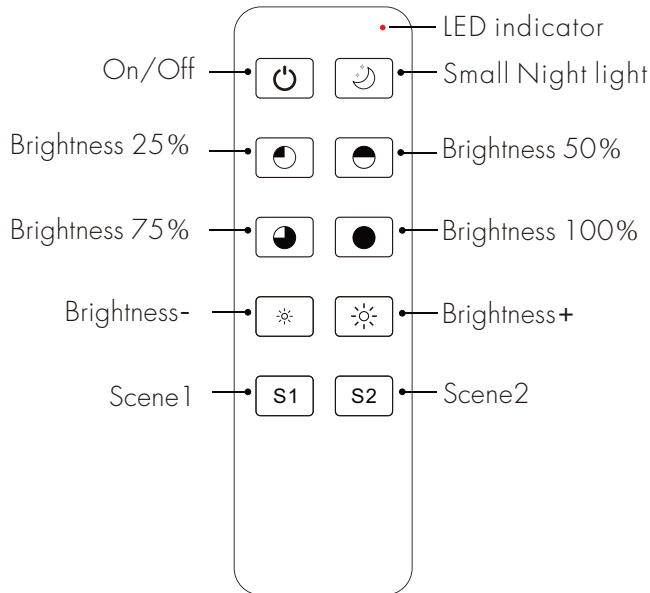
Switch off the power, then switch on power again, immediately short press on/off key (single zone remote) or zone key (multiple zone remote) 3 times on the remote. The light blinks 3 times means match is successful.

Delete:

Switch off the power, then switch on power again, immediately short press on/off key (single zone remote) or zone key (multiple zone remote) 5 times on the remote. The light blinks 5 times means all matched remotes were deleted.

## Key function

### • R1 1 zone dimming remote



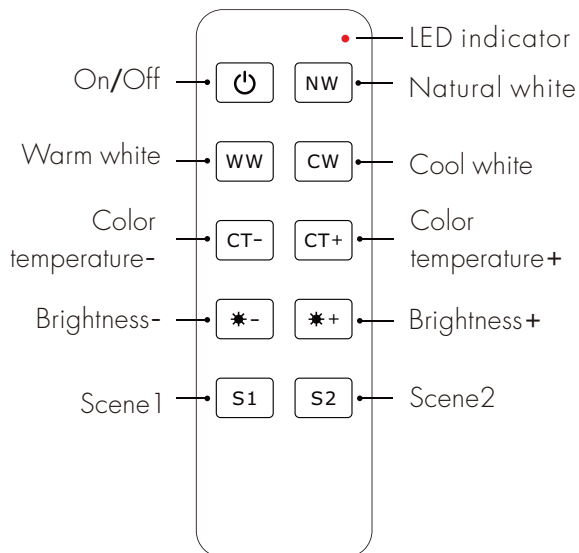
**Brightness+/-:**

Short press 10 levels,  
long press 1-6s for continuous 256 levels adjustment.

**Scene 1/2:**

brightness memory.  
Short press recall the scene,  
long press 2s save the current brightness into the scene.

### • R2 1 zone CCT remote



**Color temperature+/-:**

Short press 11 levels, long press 1-6s for continuous 256 levels adjustment.

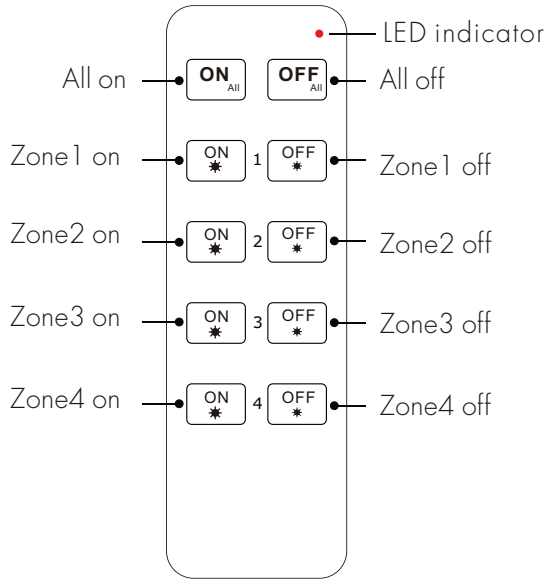
**Brightness+/-:**

Short press 10 levels, long press 1-6s for continuous 256 levels adjustment.

**Scene 1/2:**

Short press recall the scene, long press 2s save the current color into the scene.

• RU4 4 zone dimming remote



**All on:** Turn on all 4 zone light.

**All off:** Turn off all 4 zone light.

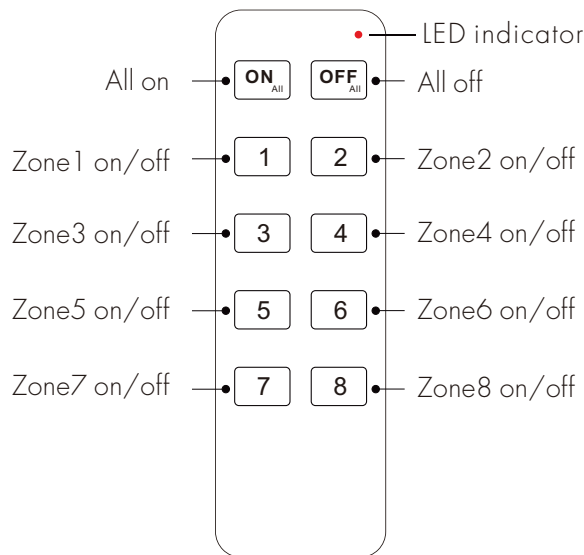
**Zone 1-4 on:**

Short press turn on zone light,  
long press 1-6s increase brightness continuously.

**Zone 1-4 off:**

Short press turn off zone light,  
long press 1-6s decrease brightness continuously.

• RU8 8 zone dimming remote



**All on:** Turn on all 8 zone light.

**All off:** Turn off all 8 zone light.

**Zone 1-8 on/off:**

Short press turn on/off zone light,  
long press 1-6s increase or decrease  
brightness continuously.

## Safety information

1. Read all instructions carefully before you begin this installation.
2. When installing battery, pay attention to the battery positive and negative polarity.  
A long time without the remote control, remove the battery.  
When remote distance becomes smaller and insensitive, replace the battery.
3. If no response from the receiver, please re-match the remote.
4. Gently handle remote, beware of falling.
5. For indoor and dry location use only.